

FOLDABLE RETRACTABLE STOCK MP5 & MP5K

OPERATOR MANUAL



B&T AG
3608 Thun • Switzerland
Tel +41 33 334 67 00
info@bt-ag.ch
www.bt-ag.ch

Note



The weapon shown here may not be identical with your weapon. However, the installation is analogous.

EYE PROTECTION MUST BE WORN!



SAFETY GOGGLES MUST BE WORN WHEN DISASSEMBLING AND REASSEMBLING THE GUN. PARTS CAN GET INTO THE EYES IF HANDLED INCORRECTLY.

EAR PROTECTION MUST BE WORN!



SUITABLE HEARING PROTECTION MUST ALWAYS BE WORN WHEN SHOOTING WITH A FIREARM.

Definition

Left / right side:

Defined looking in firing direction.

Table of Contents :

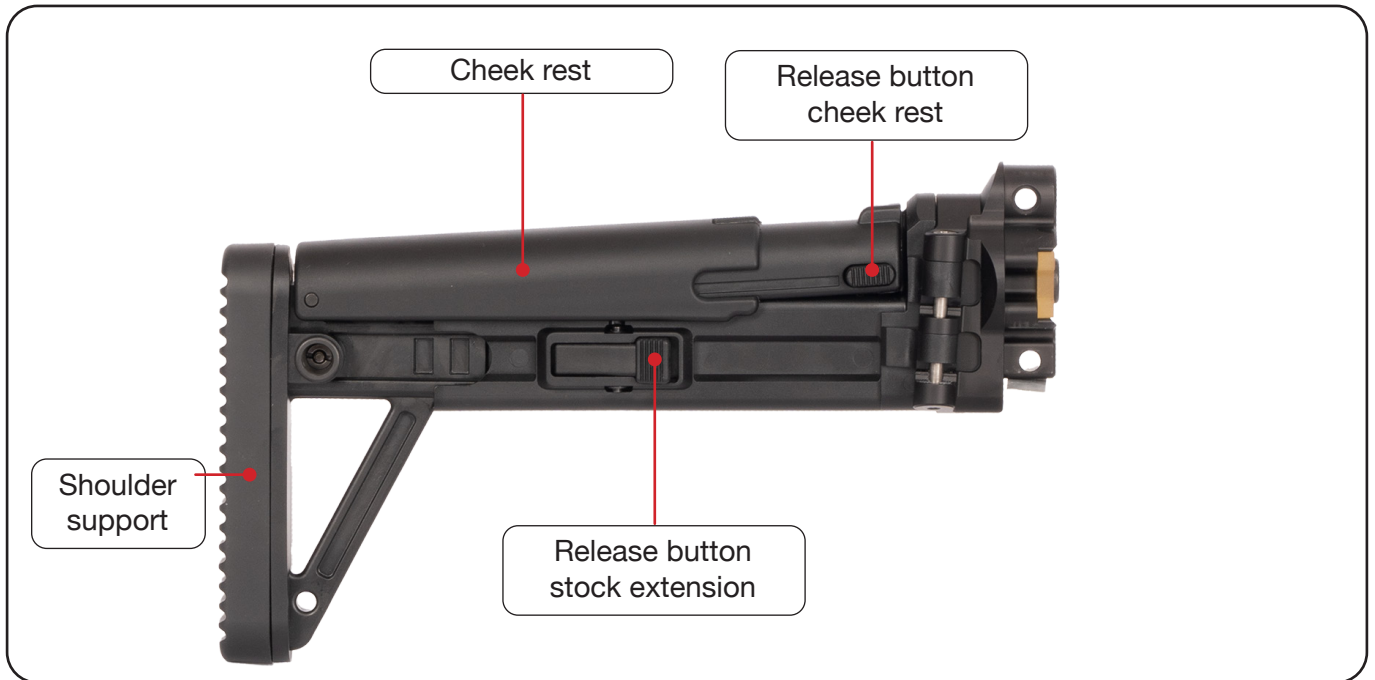
1. Technical data	4
2. Nomenclature.....	5
2.1 Foldable retractable stock MP5	5
2.2 Foldable retractable stock MP5K.....	5
3. Dimensions	6
3.1 Foldable retractable stock MP5 - Length	6
3.2 Foldable retractable stock MP5 - Width.....	6
3.3 Foldable retractable stock MP5K - Length.....	7
3.4 Foldable retractable stock MP5K - Width	7
4. Mounting.....	8
5. Dismounting.....	9
6.1 Closing stock.....	10
6.2 Adjusting stock length	10
6. Operating the stock.....	10
6.3 Operating cheek rest.....	11
6.4 Opening stock	11
7. Warranty statement.....	12

1. Technical data

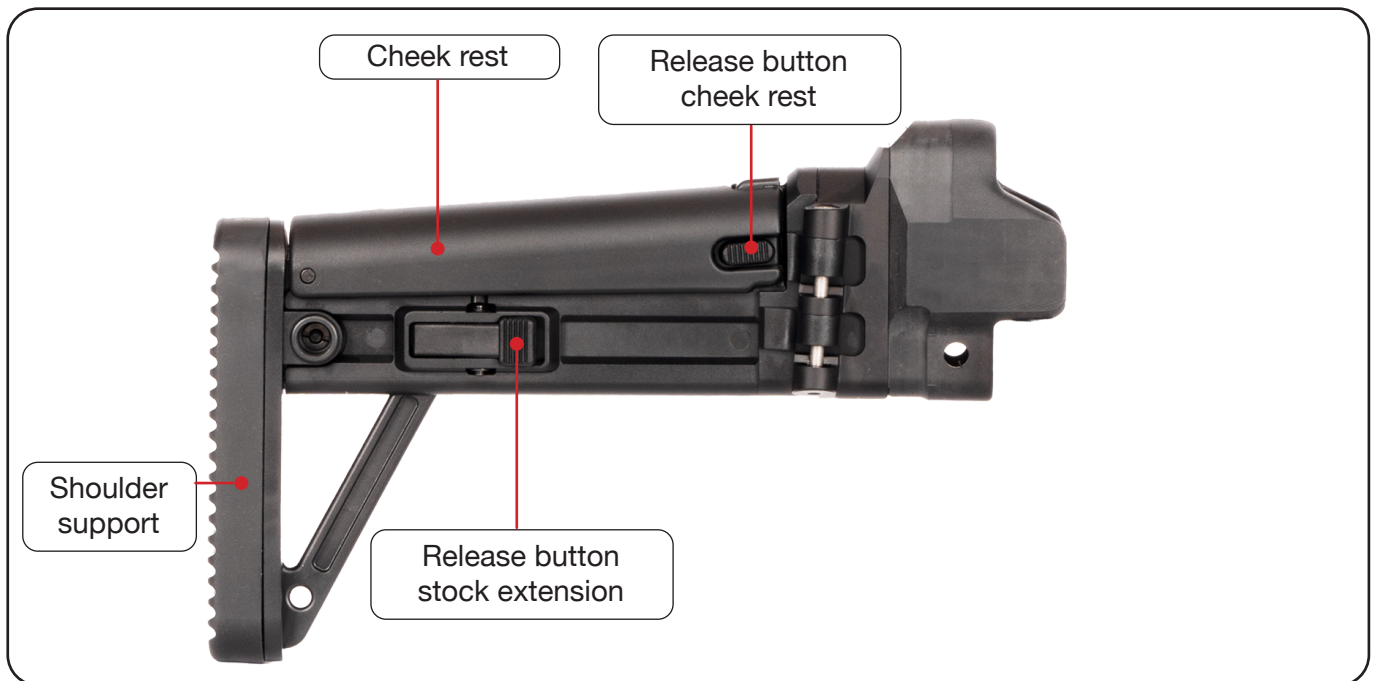
Designation	Foldable retractable stock for MP5	Foldable retractable stock for MP5K
Product ID	BT-200642	BT-200643
Weapon	HK MP5	MP5K
Weight [g]	520	501
Length 1 - Stock retracted [mm]	213	202
Length 2/3/4/5/6/7 [mm]	224/235/246/257/268/279	213/224/235/246/257/268
Length 5 - Stock extracted [mm]	290	279
Width stock folded out [mm]	51	48
Wide stock folded [mm]	83	80
Material	Aluminum / Polymer	
Surface treatment	Hartcoat anodized	
Color	Black	
Mounting	Original weapon mounting points	

2. Nomenclature

2.1 Foldable retractable stock MP5

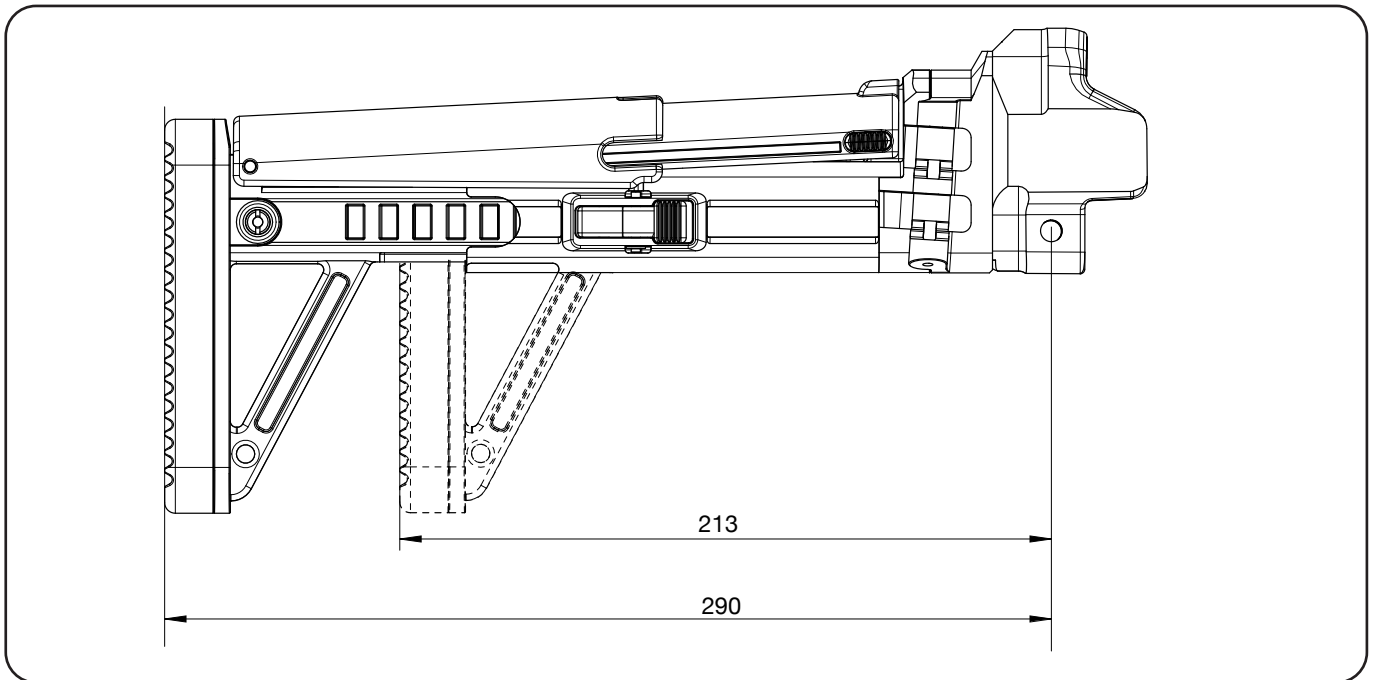


2.2 Foldable retractable stock MP5K

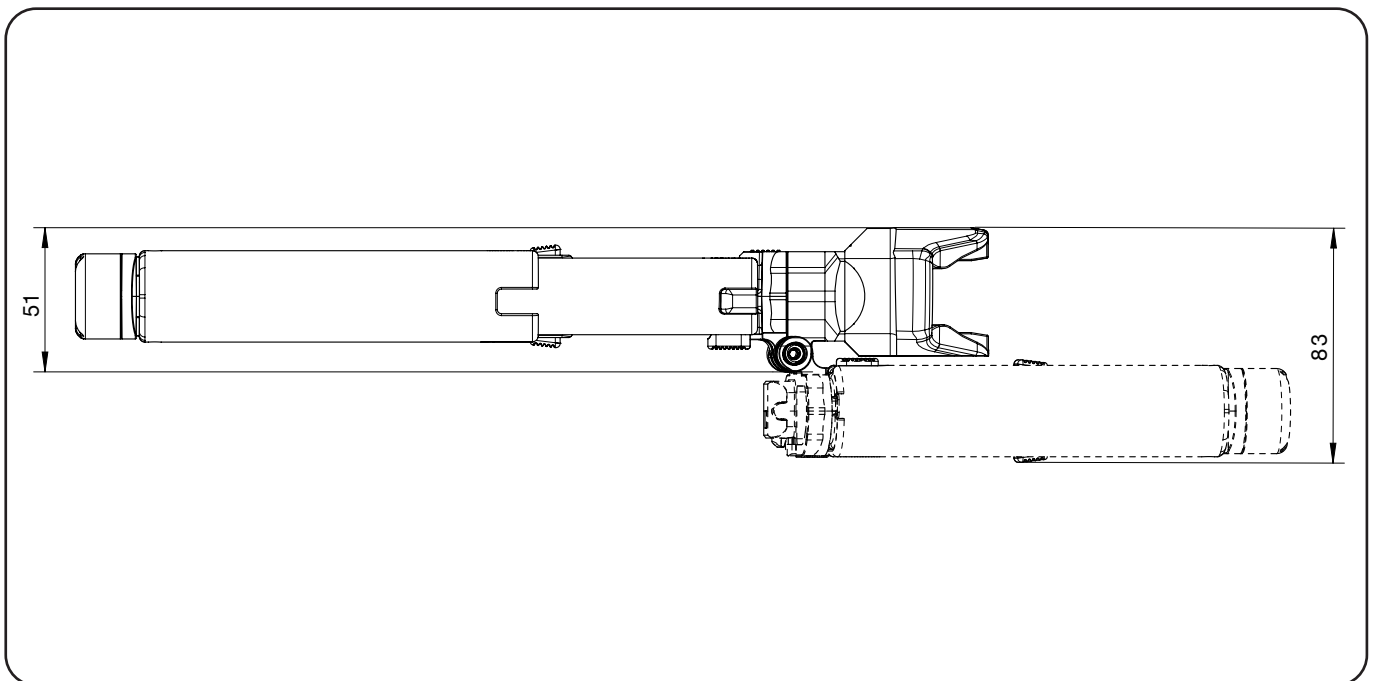


3. Dimensions

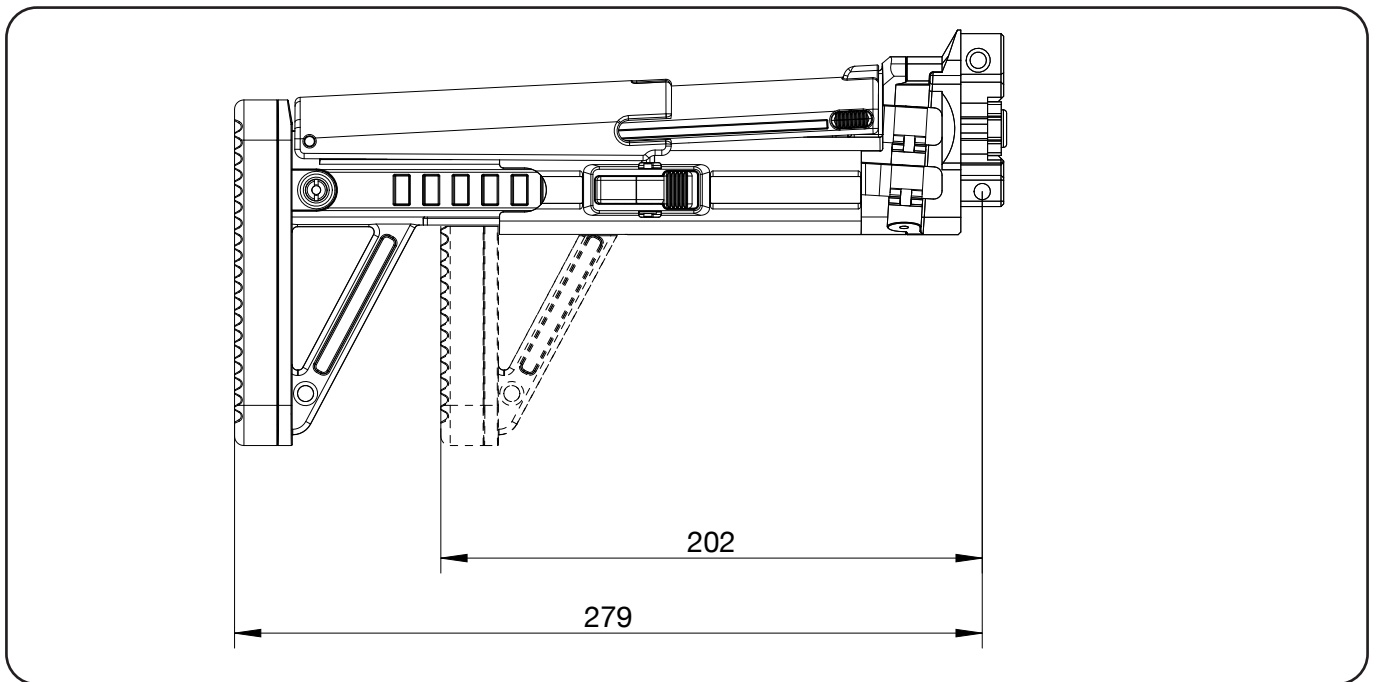
3.1 Foldable retractable stock MP5 - Length



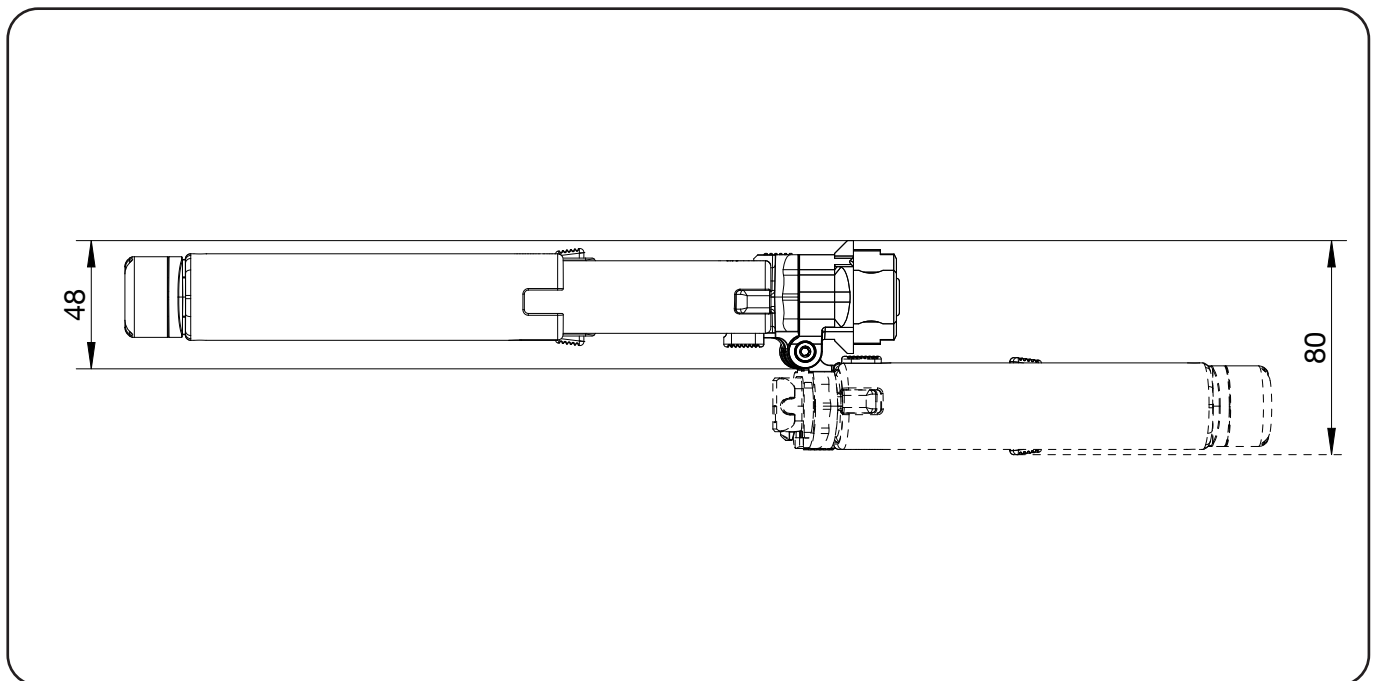
3.2 Foldable retractable stock MP5 - Width



3.3 Foldable retractable stock MP5K - Length

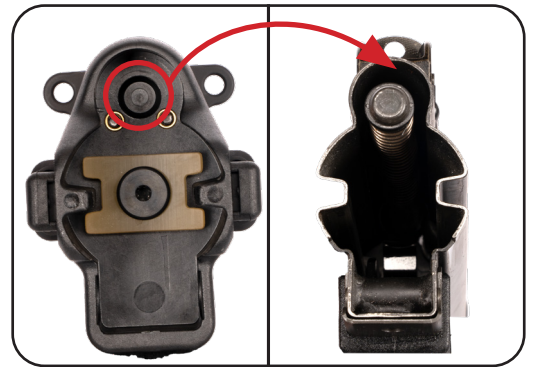


3.4 Foldable retractable stock MP5K - Width



4. Mounting

- a. The spring must be positioned at the upper part of the center of the stock.



- b. Hold the receiver with one hand. Use the other hand to insert the stock into the receiver.



- c. Use the other hand to insert the stock into the receiver. The hole in the receiver and the stock must be concentrically superimposed.



- d. Install the takedown pin (two bolts are present on the MP5K) with the spring in front. Push the takedown pin through the receiver until the spring comes out on the opposite side and locks the stock.



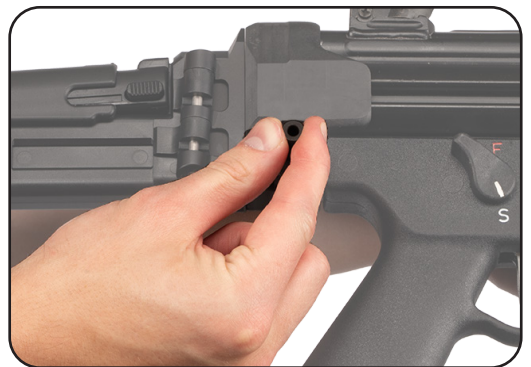
5. Dismounting

Advice!



If the bolt is not closed, the spring is tensioned and may pop out when removing the stock.

- a. Close the bolt in order to relax the spring.
- b. Slide the takedown pin into the receiver from the side with the groove.



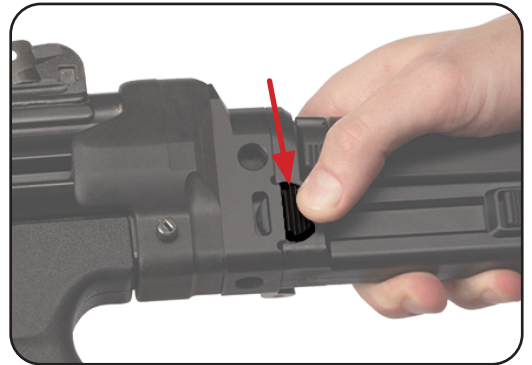
- c. Pull the stock out of the receiver.



6. Operating the stock

6.1 Closing stock

- a. Hold the weapon with the firing hand on the pistol grip.
- b. Push the locking knob with the supporting hand, and fold the stock.



- c. Fold the stock until it reaches the end position and slides in the locked position.

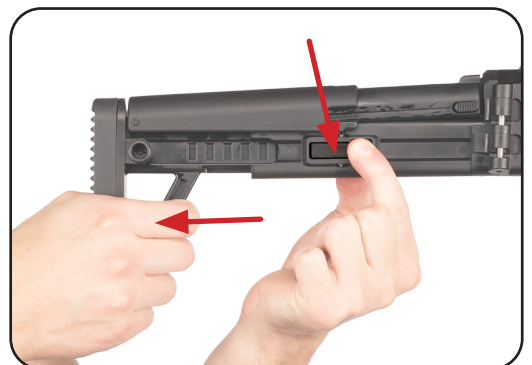


6.2 Adjusting stock length

- a. Press and hold both locking knobs with one hand.

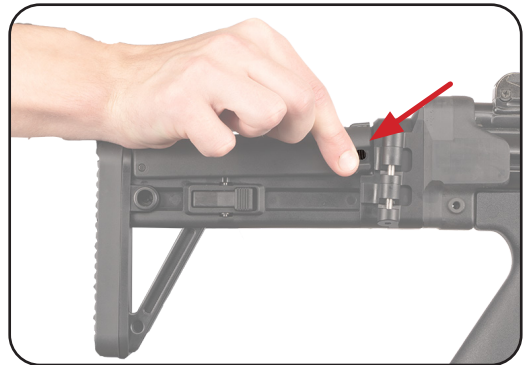


- b. With the other hand pull out or push in the shoulder support to the desired length.
- c. At the position, release the locking knobs and ensure that the shoulder support is locked in place by pulling gently on it.

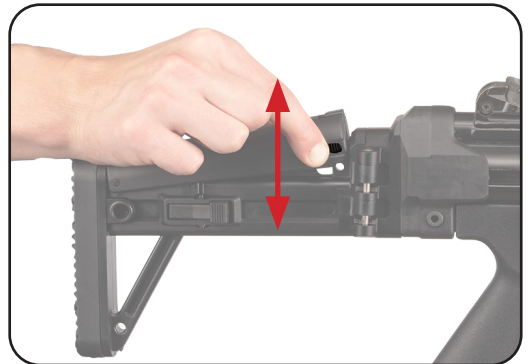


6.3 Operating cheek rest

- a. Hold the weapon with your firing hand on the pistol grip.
- b. Press and hold the adjustment knob on the cheek rest with the other hand.



- c. Adjust the cheek rest until it audibly engages in the desired position.



6.4 Opening stock

- a. Hold the weapon with the firing hand on the pistol grip.
- b. With the other hand, grasp the folding stock at the interface, lift it upwards out of the lock and unfold it until it audibly engages.



- c. Use the non-firing hand to check the correct locking of the stock.



7. Warranty statement

Warranty claims on behalf of the Client are to be explicitly declared as such. During the legal warranty period, B&T provides warranty cover solely for defects that arise as a result of faulty materials, construction errors or poor workmanship. If a warranty claim is justified, B&T will, at its own discretion, either repair or replace the defective good. Costs incurred in transporting the defective good to B&T are borne by the Client. Spare parts fitted and replaced become the property of B&T.

Inasmuch as is legally permitted, any other liability of B&T is excluded, in particular liability for damages arising either directly or indirectly from the delivered good itself, from its use or from its defects.

Merchandise is covered by the warranty provisions of the manufacturer. Parts that are naturally subject to wear and tear, damage arising from insufficient maintenance work, noncompliance with operating regulations and cases of force majeure are all excluded from warranty cover. Warranty claims lapse if the Client itself or third parties alter or repair the delivered good without the prior written consent of B&T. All product specifications are subject to change without prior notice. Published data are mean values and therefore not suitable acceptance criteria.

The manufacturer :

B&T AG - 3608 Thun - Switzerland

Phone +41 33 334 67 00

e-mail: info@bt-ag.com